

180 GDS Helpsheet

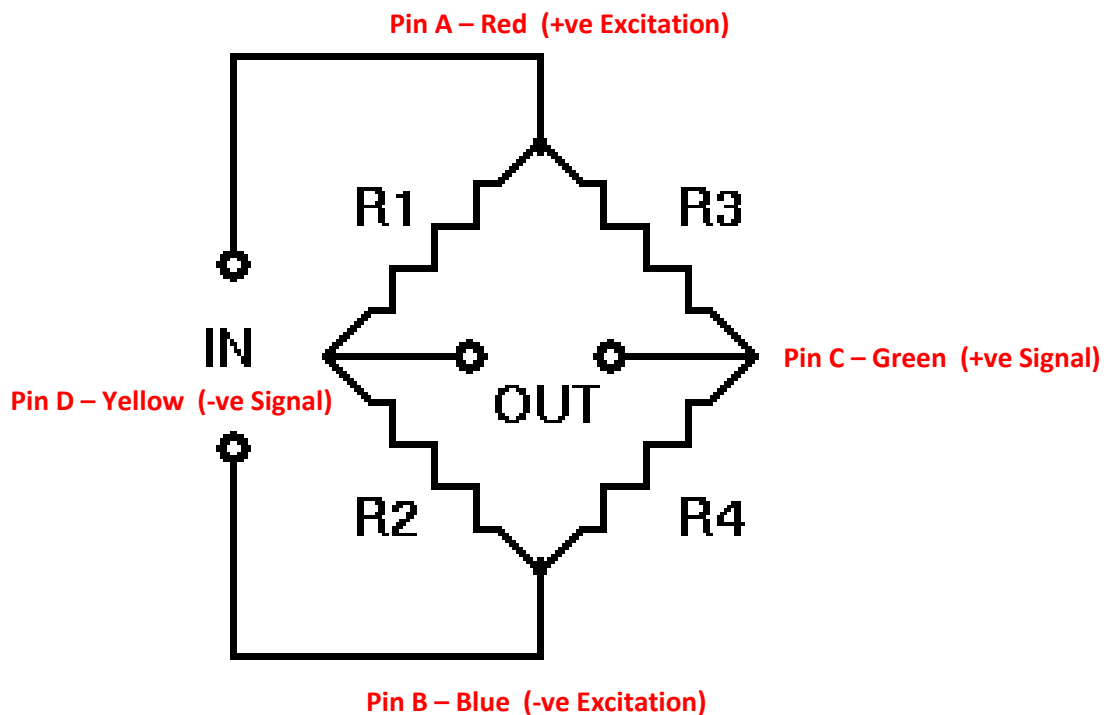
World Leaders in Computer Controlled Testing Systems for Geotechnical Engineers and Geologists

Hardware

Load Cells

Checking the resistance of a Wheatstone bridge Load Cell

Measuring the resistance across the pins of a load cell can help to determine if internal damage has been caused.



When measuring the Resistance please return the information in a form similar to that shown below. This makes reading the results provided a lot easier.

Pins Measured Across		Resistance Measured
Pin A – Red	Pin C – Green	
Pin A – Red	Pin D – Yellow	
Pin B – Blue	Pin C – Green	
Pin B – Blue	Pin D – Yellow	
Pin A – Red	Pin B – Blue	
Pin C - Green	Pin D – Yellow	